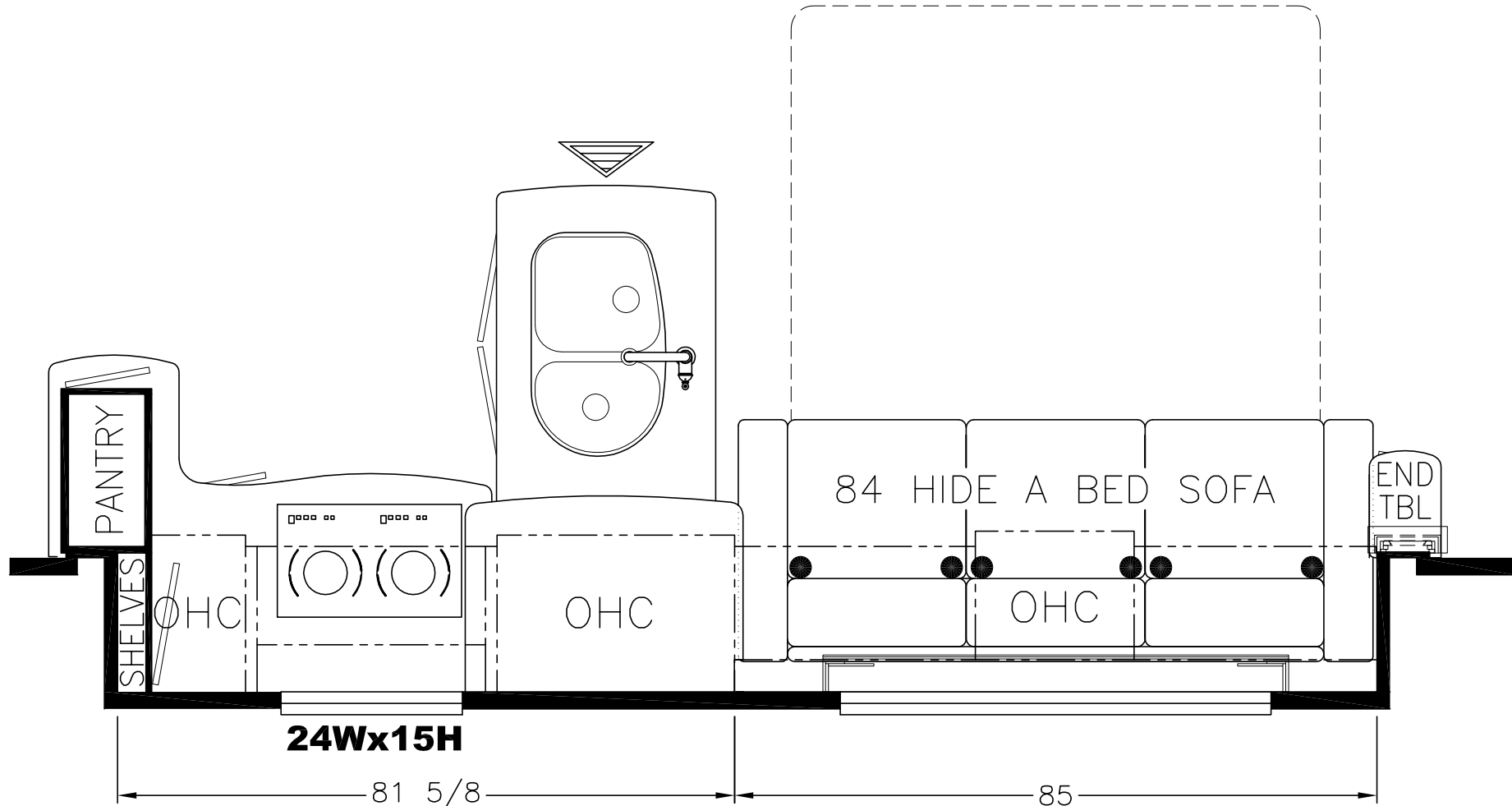


PLEASE ACKNOWLEDGE AND DATE THE FOLLOWING ORDER/PRINT FOR APPROVAL TO BUILD, AND FAX TO NEWMAR (AT 574-773-2895) AS SOON AS POSSIBLE

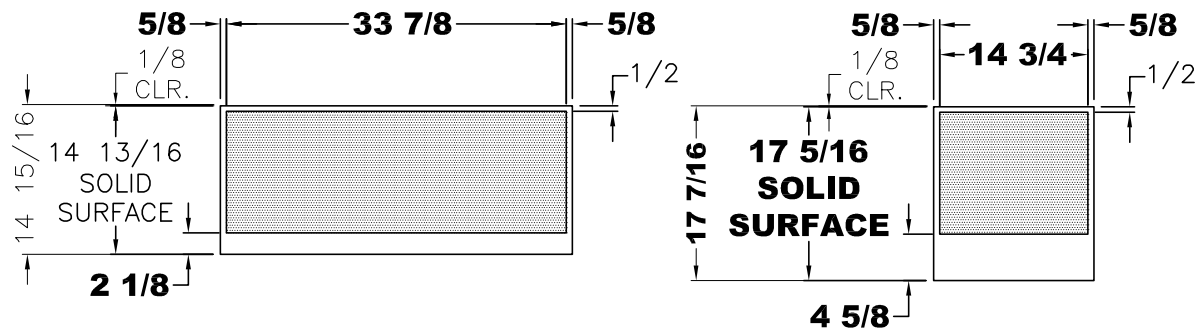
DATE: _____
SIGN: _____



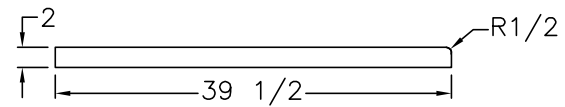
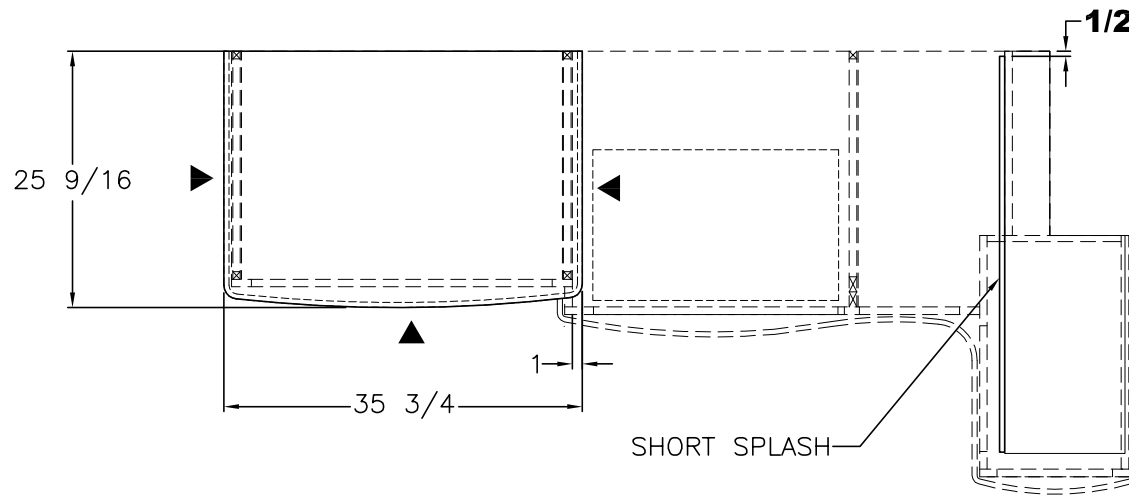
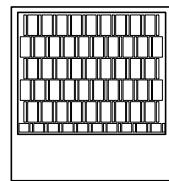
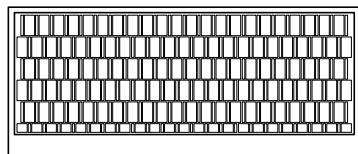
UNIT: # 904433
DEALER: Freedom RV
SPECIAL: # 932

NEWMAR CORP P.O. Box 30, Nappanee, IN. 46550 Title block--1TB	Model: MA DP 4565 (J610)	Sheet 1 OF 1	Drawn by: Z. R.	Checked by: A. M.	Revision:	By:
	Title: FLOOR PLAN	I.D. # 2016 \ SPECIALS \ MOT \ 932FP	Date: 10/20/15	Date: 10/22/15	Revision:	Date:

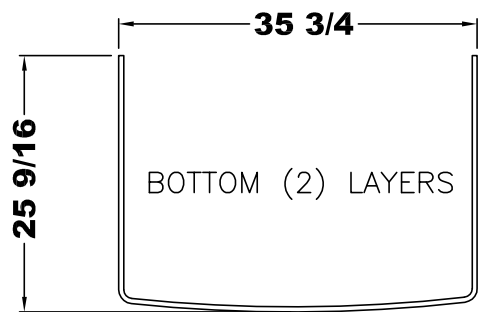
ITEM #	QTY	NEWMAR #	DESCRIPTION
1	J610	124108	ALL ELECTRIC INDUCTION COOKTOP (S2F3)



SOLID DENOTES 1/4" RECESS FOR TILE INLAY



SHORT SPLASH

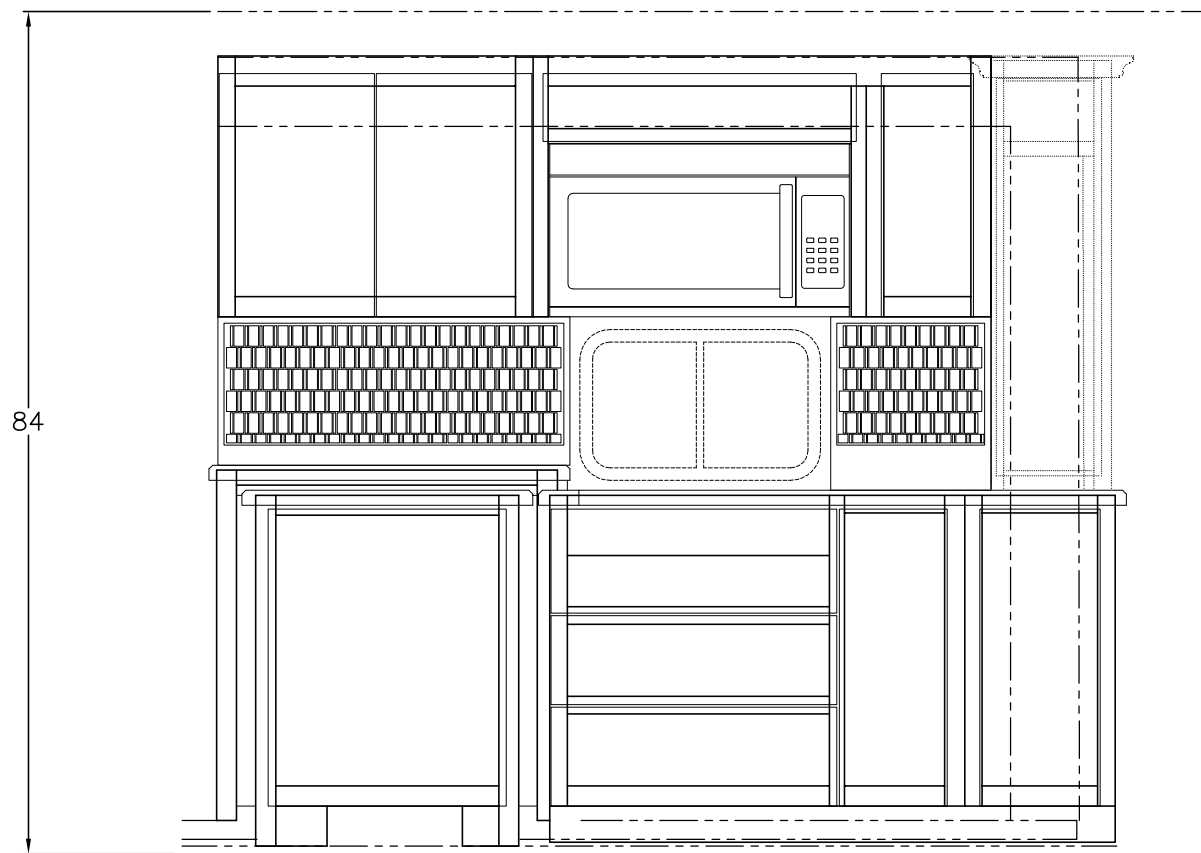


UNIT: # 904433
 DEALER: Freedom RV
 SPECIAL: # 932

TOPS/TRIM/SHELF/SPLASH

PLEASE ACKNOWLEDGE AND DATE THE FOLLOWING ORDER/PRINT FOR APPROVAL TO BUILD, AND FAX TO NEWMAR (AT 574-773-2895) AS SOON AS POSSIBLE
 DATE: _____
 SIGN: _____

NEWMAR CORP P.O. Box 30, Nappanee, IN. 46550	Model: (J610)	Sheet 1 OF 2	Drawn by: Z. R.	Checked by: A. M.	Revision:	By:
	Title: 81 5/8 KITCHEN	I.D. # 2016\ SPECIALS\MOT\ 932KT	Date: 10/20/15	Date: 10/22/15	Revision:	Date:
Title block--75TB						By:
						Date:



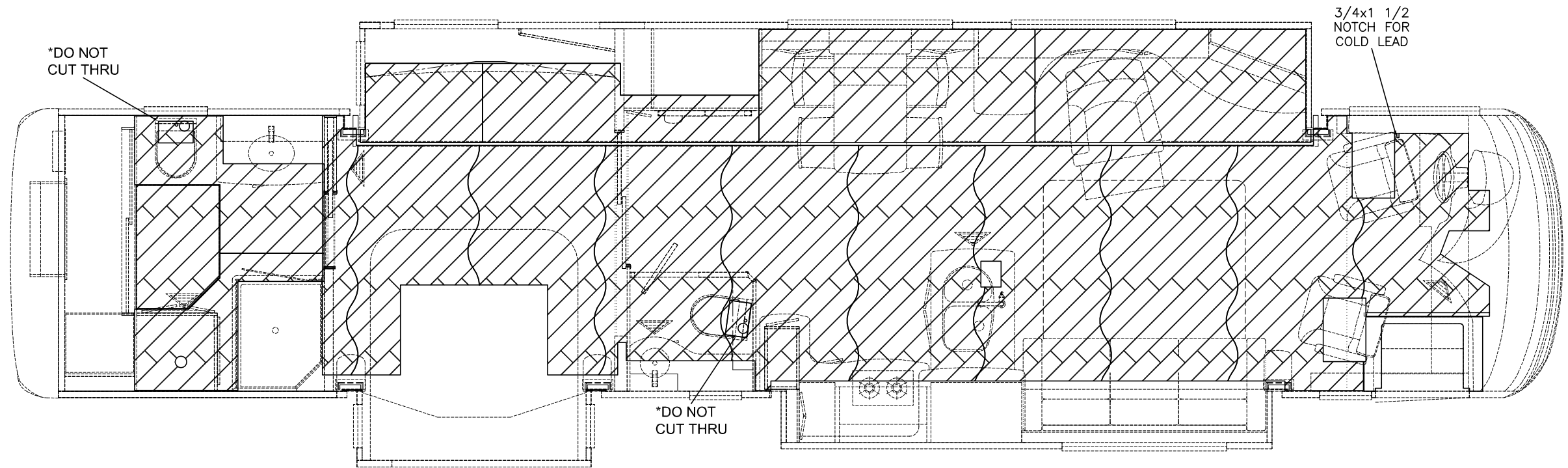
UNIT: # 904433
 DEALER: Freedom RV
 SPECIAL: # 932

ELEVATION

PLEASE ACKNOWLEDGE AND DATE THE FOLLOWING ORDER/PRINT FOR APPROVAL TO BUILD, AND FAX TO NEWMAR (AT 574-773-2895) AS SOON AS POSSIBLE
 DATE: _____
 SIGN: _____

NEWMAR CORP P.O. Box 30, Nappanee, IN. 46550 Title block--75TB	Model: MA DP 4565	Sheet 2 OF 2	Drawn by: Z. R.	Checked by: A. M.	Revision:	By:
	Title: 81 5/8 KITCHEN	I.D. # 2016\ SPECIALS\MOT\ 932KT	Date: 10/20/15	Date: 10/22/15	Revision:	Date:

*ALL DIMENSION FROM POINT A



**NOTE: ALL PANELS AT 47 3/4 WIDE
UNLESS SPECIFIED OTHERWISE**

**EX DP TILE
5 13/16 x 35 3/16**

PLEASE ACKNOWLEDGE AND DATE THE FOLLOWING ORDER/PRINT FOR APPROVAL TO BUILD, AND FAX TO NEWMAR (AT 574-773-2895) AS SOON AS POSSIBLE
DATE: _____
SIGN: _____

UNIT: # 904433
DEALER: Freedom RV
SPECIAL: # 932

NEWMAR CORP
P.O. Box 30,
Nappanee, IN. 46550

Title block--3125TB	Model: MA DP 4565	Sheet 1 OF 1	Drawn by: Z. R.	Checked by: A. M.	Revision:	By:
	Title: STANDARD TILE LAYOUT	I.D. # 2016\ SPECIALS\MOT\ 932TILE	Date: 10/20/15	Date: 10/22/15	Revision:	Date:
						By:
						Date: