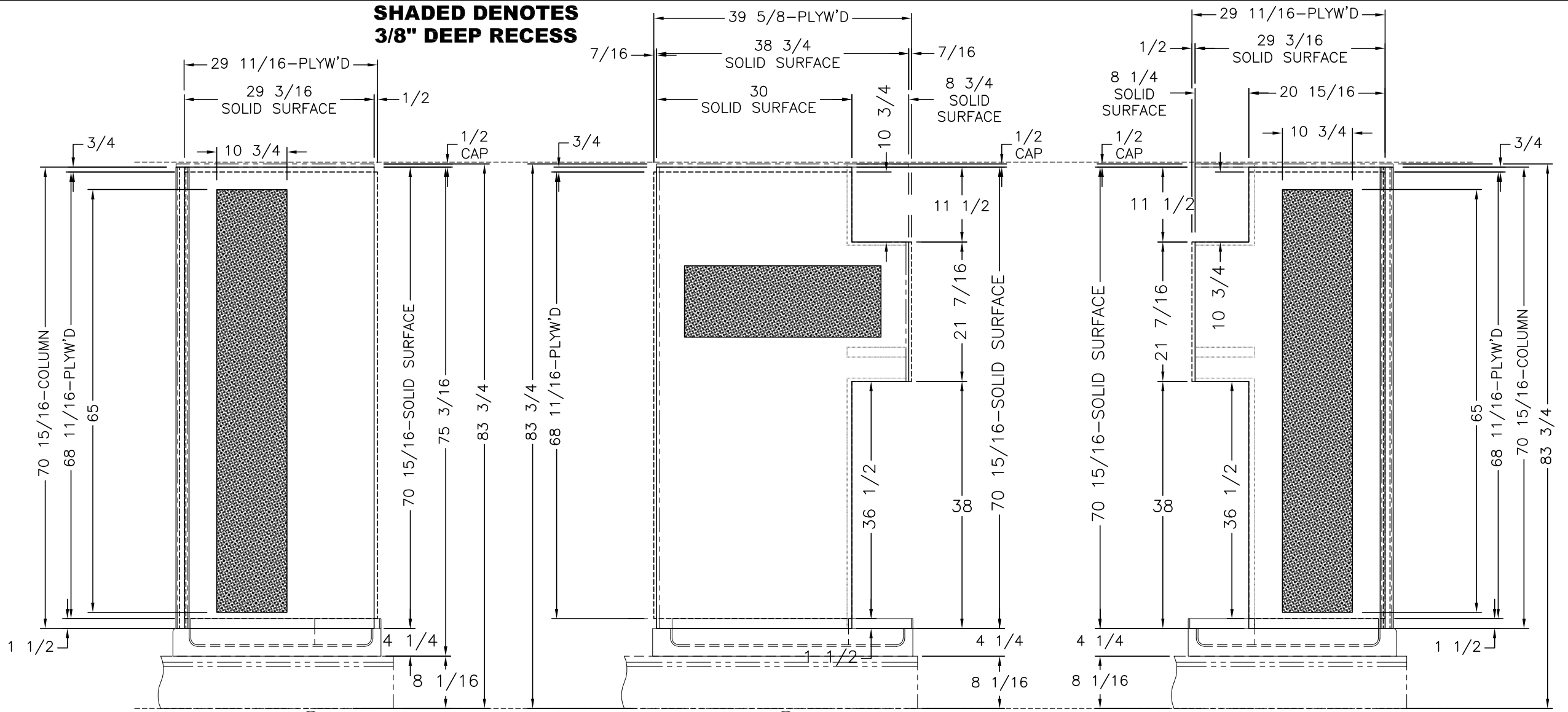


**SHADED DENOTES
3/8" DEEP RECESS**



VIEW (A)

VIEW (B)

VIEW (C)

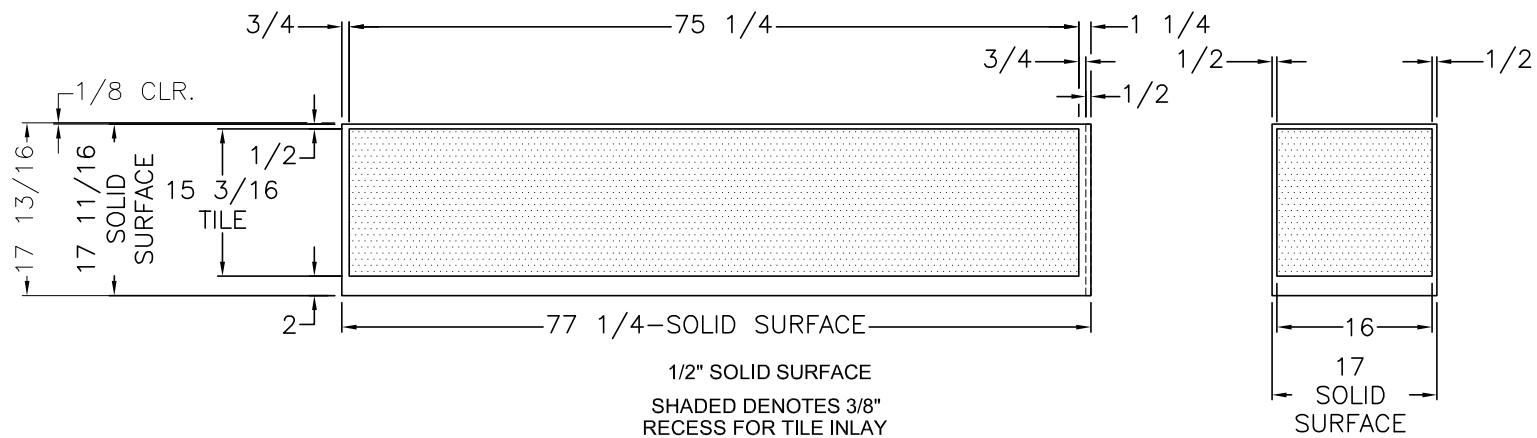
PLEASE ACKNOWLEDGE AND DATE THE FOLLOWING ORDER/PRINT FOR APPROVAL TO BUILD, AND FAX TO NEWMAR (AT 574-773-2895) AS SOON AS POSSIBLE
DATE: _____
SIGN: _____

UNIT: # 904442
DEALER: North Trail RV
SPECIAL: # 1072

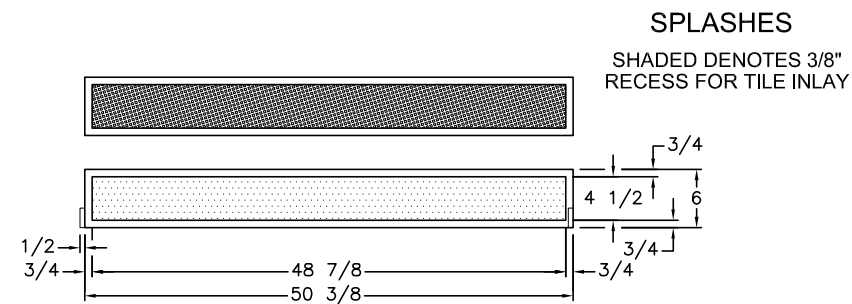
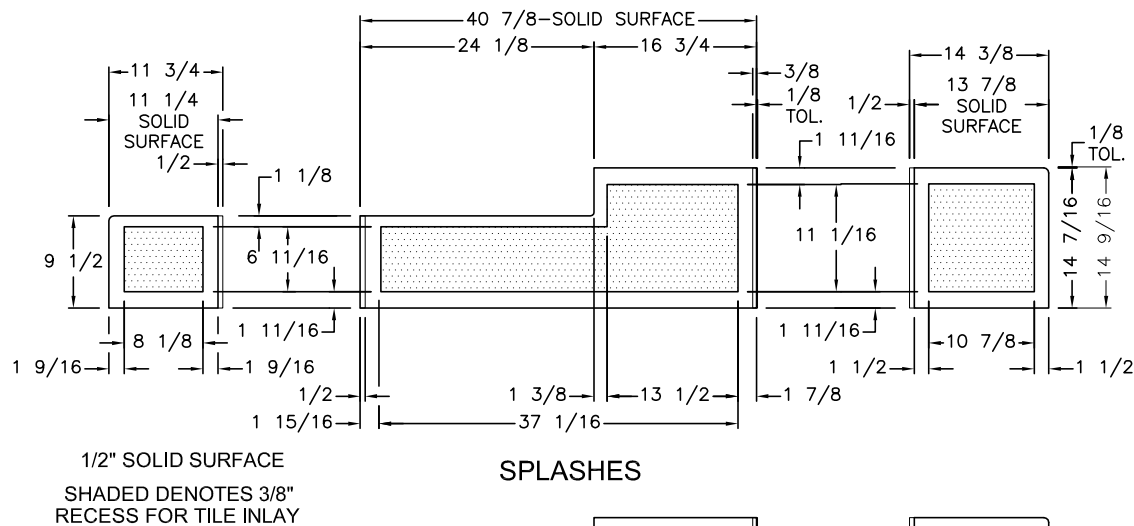
**2016 EX DP KITCHEN
BACKSPLASH TILE**

NEWMAR CORP P.O. Box 30, Nappanee, IN. 46550	Model:	Sheet	Drawn by:	Checked by:	Revision:	By:
	MA DP 4553	1 OF 1	Z. R.	A. M.		Date:
UNITS: INCHES	Title:	I.D. # 2016\	Date:	Date:	Revision:	By:
TITLE BLOCK--75TB	SOLID SURFACE SHOWER WALLS	SPECIALS\MOT\ 1072SHWR	11/23/15	11/24/15		Date:

2016 EX DP KITCHEN SPLASH TILE



KITCHEN BASE BACK SPLASH

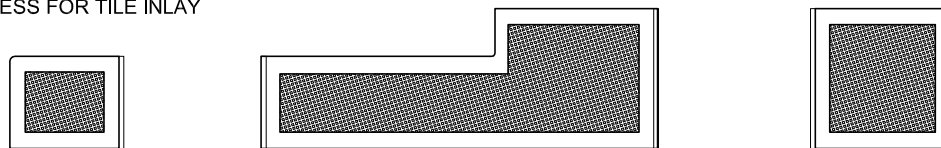


REAR BATH BACK SPLASH

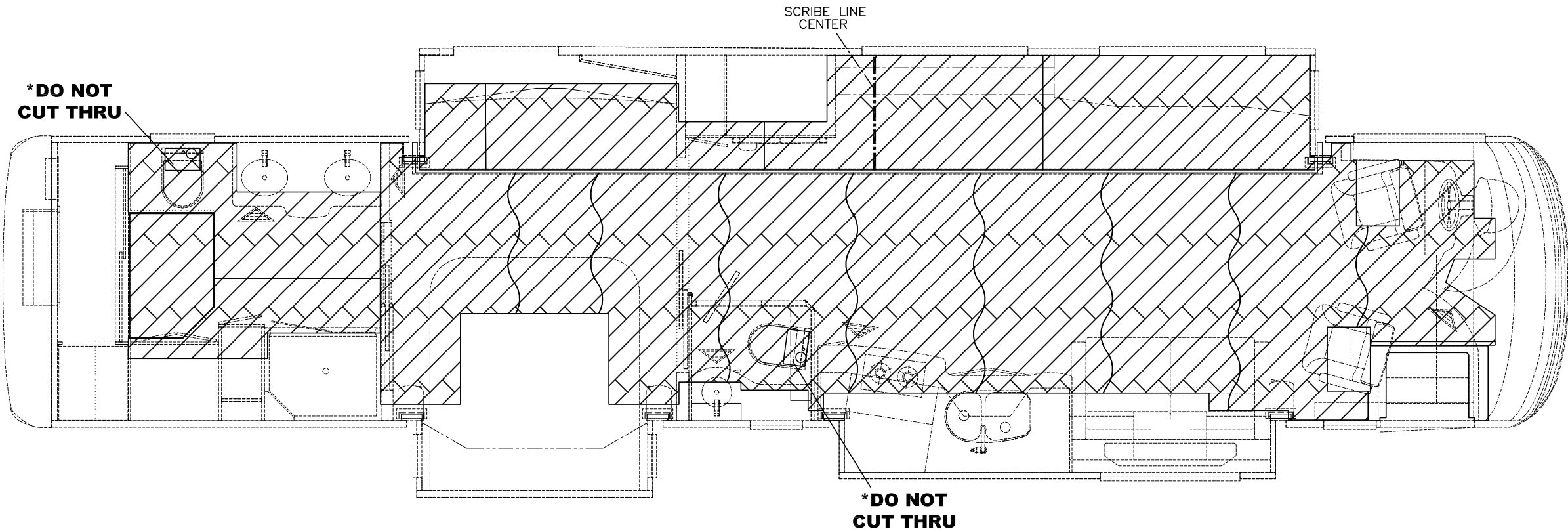
PLEASE ACKNOWLEDGE AND DATE THE FOLLOWING ORDER/PRINT FOR APPROVAL TO BUILD, AND FAX TO NEWMAR (AT 574-773-2895) AS SOON AS POSSIBLE
DATE: _____
SIGN: _____

STOOL ROOM BACK SPLASH

UNIT: # 904442
DEALER: North Trail RV
SPECIAL: # 1072



NEWMAR CORP P.O. Box 30, Nappanee, IN. 46550	Model:	Sheet	Drawn by:	Checked by:	Revision:	By:
	MA DP 4553	1 OF 1	Z. R.	A. M.		Date:
UNITS: INCHES	Title:	I.D. #	Date:	Date:	Revision:	By:
TITLE BLOCK--75TB	KIT AND BATH BACK SPLASHES	2016\ SPECIALS\MOT\ 1072SPLASH	11/23/15	11/24/15		Date:



NOTE: ALL PANELS AT 47 3/4 WIDE
UNLESS SPECIFIED OTHERWISE

2016 EX DP TILE
35 3/16 x 5 13/16

PLEASE ACKNOWLEDGE AND DATE THE
FOLLOWING ORDER/PRINT FOR APPROVAL
TO BUILD, AND FAX TO NEWMAR (AT
574-773-2895) AS SOON AS POSSIBLE
DATE: _____
SIGN: _____

UNIT: # 904442
DEALER: North Trail RV
SPECIAL: # 1072

NEWMAR CORP P.O. Box 30, Nappanee, IN. 46550	Model:	(K049)	Sheet	Drawn by:	Checked by:	Revision:	By:
	Title:	MA DP 4553	1 OF 1	Z. R.	A. M.		Date:
UNITS: INCHES	STANDARD TILE LAYOUT	I.D. # 2016\ SPECIALS\MOT\ 1072TILE	Date:	Date:	Revision:		By:
TITLE BLOCK--3125TB			11/23/15	11/24/15			Date: